

Model: Model J-P2		Date: 12-Dec-03	No.: MG080001
Modified Article: Cleaner - Dust Proof Glass		Prepared by: H.Taguchi	
From: 1st Tech. Support Sec. Service Support Dept.			
Reason for Modification:	<input type="checkbox"/> Parts catalog correction <input type="checkbox"/> To facilitate assembly <input type="checkbox"/> Part standardization	<input type="checkbox"/> Vendor change <input checked="" type="checkbox"/> To improve reliability <input type="checkbox"/> Other	<input type="checkbox"/> To meet standards ()

The cleaner for the dust proof glass has been modified as follows to improve the adhesive strength of the seal's tape:

1. The material for the fiber base seal has been changed to a softer material (latex).
2. The adhesive strength of the tape has been increased by approximately four times.

Old part number	New part number	Description	Q'ty	Int	Page	Index	Note
G0601995	B1491995	HOLDER:PAD:ASS'Y	1 - 1	O/O	9	27	

Model: Model J-P2		Date: 22-Dec-03	No.: MG080002
Modified Article: Transfer unit, Bearings		Prepared by: H.Taguchi	
From: 1st Tech. Support Sec. Service Support Dept.			
Reason for Modification:	<input type="checkbox"/> Parts catalog correction <input type="checkbox"/> To facilitate assembly <input type="checkbox"/> Part standardization	<input type="checkbox"/> Vendor change <input type="checkbox"/> To improve reliability <input checked="" type="checkbox"/> Other	<input type="checkbox"/> To meet standards ()

Please apply the following P/N and description corrections to your Parts Catalogs, which have also been applied to service parts for this model.

Incorrect part number	Correct part number	Correct Description	Q'ty	Int	Page	Index	Note
G0803810	G0803811	Transfer Unit Ass'y	1 - 1	O/O	37	10	
08053525	→ 08053535	Bearing	1 - 1	O/O	41	105	
		Ball Bearing 8x14x4					
08053524	→ 08053534	Ball Bearing M3x6x2.5	1 - 1	O/O	39	106	
		Ball Bearing 6x12x4			41	104	

Model: Model J-P2		Date: 19-Feb-04	No.: MG080003
Modified Article: Pump:Toner Supply Unit		Prepared by: H.Taguchi	
From: 1st Tech. Support Sec. Service Support Dept.			
Reason for Modification:	<input type="checkbox"/> Parts catalog correction <input type="checkbox"/> To facilitate assembly <input type="checkbox"/> Part standardization	<input type="checkbox"/> Vendor change <input checked="" type="checkbox"/> To improve reliability <input type="checkbox"/> Other	<input type="checkbox"/> To meet standards ()

The following parts have been modified to further ensure a smooth supply of toner from the cartridge to the development unit.

Old part number	New part number	Description	Q'ty	Int	Page	Index	Note
G0803351	G0803356	Pump:Toner Supply Unit:BK:Sub-ass'y	1 - 1	X/O	59	10	
G0803352	G0803357	Pump:Toner Supply Unit:M:Sub-ass'y	1 - 1	X/O	59	13	
G0803353	G0803358	Pump:Toner Supply Unit:C:Sub-ass'y	1 - 1	X/O	59	12	
G0803354	G0803359	Pump:Toner Supply Unit:Y:Sub-ass'y	1 - 1	X/O	59	11	

RCL (Japan) Production

Model	V/Hz	Destination	Code	Serial Number
Ricoh Aficio CL7000 Savin CLP28 Gestetner DSc38u LP 138c	120V, 60Hz	USA, Canada	G080-17	P96402xxxxx
Gestetner DSc38u Nashuatec DSc38 u Rex Rotary DSc38 U	220 - 240V, 50/60Hz	Europe, etc.	G080-22	P9640200001
LP 138c	220 - 240V, 50/60Hz	Europe, etc.	G080-24	L1404010013
IPC2838	220 - 240V, 50/60Hz	Europe, etc.	G080-26	8Q4024xxxx
Ricoh Aficio CL7000	220 - 240V, 50/60Hz	Europe, etc.	G080-27	P9640200083
Ricoh Aficio CL7000	220 - 240V, 50/60Hz	Asia	G080-29	P9640100004

Model: Model J-P2		Date: 2-Mar-04	No.: MG080004
Modified Article: Stripper pawl		Prepared by: H.Taguchi	
From: 1st Tech. Support Sec. Service Support Dept.			
Reason for Modification:	<input type="checkbox"/> Parts catalog correction <input type="checkbox"/> To facilitate assembly <input type="checkbox"/> Part standardization	<input type="checkbox"/> Vendor change <input checked="" type="checkbox"/> To improve reliability <input type="checkbox"/> Other	<input type="checkbox"/> To meet standards ()

The shape of the following has been changed to ensure oil does not stick to the rear side.

Old part number	New part number	Description	Q'ty	Int	Page	Index	Note
AE044050	AE044057	Stripper Pawl	1 - 1	X/O	45	22	
		Pickoff Pawl:PFA					

RCL (Japan) Production

Model	V/Hz	Destination	Code	Serial Number
Ricoh Aficio CL7000 Savin CLP28 Gestetner DSc38u LP 138c	120V, 60Hz	USA, Canada	G080-17	P9630800235
Gestetner DSc38u Nashuatec DSc38 u Rex Rotary DSc38 U	220 - 240V, 50/60Hz	Europe, etc.	G080-22	P9630800861
LP 138c	220 - 240V, 50/60Hz	Europe, etc.	G080-24	L1403080001
IPC2838	220 - 240V, 50/60Hz	Europe, etc.	G080-26	8Q4093xxxx
Ricoh Aficio CL7000	220 - 240V, 50/60Hz	Europe, etc.	G080-27	P9630800867
Ricoh Aficio CL7000	220 - 240V, 50/60Hz	Asia	G080-29	P9630800918

Model: Model J-P2		Date: 2-Mar-04	No.: MG080005
Modified Article: Stripper pawl		Prepared by: H.Taguchi	
From: 1st Tech. Support Sec. Service Support Dept.			
Reason for Modification:	<input type="checkbox"/> Parts catalog correction <input type="checkbox"/> To facilitate assembly <input type="checkbox"/> Part standardization	<input type="checkbox"/> Vendor change <input checked="" type="checkbox"/> To improve reliability <input type="checkbox"/> Other	<input type="checkbox"/> To meet standards ()

The coating for the following part has been changed to further ensure that the strippers do not scratch the fusing belt.

Old part number	New part number	Description	Q'ty	Int	Page	Index	Note
AE044051		Pickoff Pawl:Belt:Fusing	1 - 1	X/O	45	25	
	AE044047	Stripper Pawls:PFA					

RCL (Japan) Production

Model	V/Hz	Destination	Code	Serial Number
Ricoh Aficio CL7000 Savin CLP28 Gestetner DSc38u LP 138c	120V, 60Hz	USA, Canada	G080-17	P96402xxxxx
Gestetner DSc38u Nashuatec DSc38 u Rex Rotary DSc38 U	220 - 240V, 50/60Hz	Europe, etc.	G080-22	P9640100001
LP 138c	220 - 240V, 50/60Hz	Europe, etc.	G080-24	L1403120001
IPC2838	220 - 240V, 50/60Hz	Europe, etc.	G080-26	8Q4014xxxx
Ricoh Aficio CL7000	220 - 240V, 50/60Hz	Europe, etc.	G080-27	P9631200001
Ricoh Aficio CL7000	220 - 240V, 50/60Hz	Asia	G080-29	P9631200003

Model: Model J-P2		Date: 17-Mar-04	No.: MG080006
Modified Article: PCU		Prepared by: H.Taguchi	
From: 1st Tech. Support Sec. Service Support Dept.			
Reason for Modification:	<input type="checkbox"/> Parts catalog correction	<input type="checkbox"/> Vendor change	<input type="checkbox"/> To meet standards ()
	<input type="checkbox"/> To facilitate assembly	<input checked="" type="checkbox"/> To improve reliability	
	<input type="checkbox"/> Part standardization	<input type="checkbox"/> Other	

The material of the cleaning blade has been changed to further improve drum cleaning.

Old part number	New part number	Description	Q'ty	Int	Page	Index	Note
G2112205	G2112208	PCU:COLLAR:P2M-PAC:ASS'Y	1 - 1	O/O	35	1	

Model: Model J-P2		Date: 17-Mar-04	No.: MG080007
Modified Article: PCU		Prepared by: H.Taguchi	
From: 1st Tech. Support Sec. Service Support Dept.			
Reason for Modification:	<input type="checkbox"/> Parts catalog correction <input type="checkbox"/> To facilitate assembly <input type="checkbox"/> Part standardization	<input type="checkbox"/> Vendor change <input checked="" type="checkbox"/> To improve reliability <input type="checkbox"/> Other	<input type="checkbox"/> To meet standards ()

The material of the cleaning blade has been changed to further improve drum cleaning.

Old part number	New part number	Description	Q'ty	Int	Page	Index	Note
G2112208	G2112210	PCU:COLLAR:P2M-PAC:ASS'Y	1 - 1	O/O	35	1	

RCL (Japan) Production

Model	V/Hz	Destination	Code	Serial Number
Ricoh Aficio CL7000 Savin CLP28 Gestetner DSc38u LP 138c	120V, 60Hz	USA, Canada	G080-17	P96311xxxxx
Gestetner DSc38u Nashuatec DSc38 u Rex Rotary DSc38 U	220 - 240V, 50/60Hz	Europe, etc.	G080-22	P9640100001
LP 138c	220 - 240V, 50/60Hz	Europe, etc.	G080-24	L1403100001
IPC2838	220 - 240V, 50/60Hz	Europe, etc.	G080-26	8Q4113xxxx
Ricoh Aficio CL7000	220 - 240V, 50/60Hz	Europe, etc.	G080-27	P9631000001
Ricoh Aficio CL7000	220 - 240V, 50/60Hz	Asia	G080-29	P9631000185

Model: Model J-P2		Date: 2-Apr-04	No.: MG080008
Modified Article: PCB:J-BCU:P2:SERVICE		Prepared by: H.Taguchi	
From: 1st Tech. Support Sec. Service Support Dept.			
Reason for Modification:	<input type="checkbox"/> Parts catalog correction <input type="checkbox"/> To facilitate assembly <input checked="" type="checkbox"/> Part standardization	<input type="checkbox"/> Vendor change <input type="checkbox"/> To improve reliability <input type="checkbox"/> Other	<input type="checkbox"/> To meet standards ()

The following has been changed due to parts standardization.

Old part number	New part number	Description	Q'ty	Int	Page	Index	Note
G0805053	G0805059	PCB:J-BCU:P2:Service	1 - 1	X/O	71 97	18 *	

RCL (Japan) Production

Model	V/Hz	Destination	Code	Serial Number
Ricoh Aficio CL7000 Savin CLP28 Gestetner DSc38u LP 138c	120V, 60Hz	USA, Canada	G080-17	P9630100001
Gestetner DSc38u Nashuatec DSc38 u Rex Rotary DSc38 U	220 - 240V, 50/60Hz	Europe, etc.	G080-22	P9630201479
LP 138c	220 - 240V, 50/60Hz	Europe, etc.	G080-24	L1403020001
IPC2838	220 - 240V, 50/60Hz	Europe, etc.	G080-26	8Q40230001
Ricoh Aficio CL7000	220 - 240V, 50/60Hz	Europe, etc.	G080-27	P9630100041
Ricoh Aficio CL7000	220 - 240V, 50/60Hz	Asia	G080-29	P9630202366

Model: Model J-P2		Date: 27-Apr-04	No.: MG080009
Modified Article: Cap: Discharge used toner		Prepared by: H.Taguchi	
From: 1st Tech. Support Sec. Service Support Dept.			
Reason for Modification:	<input type="checkbox"/> Parts catalog correction <input type="checkbox"/> To facilitate assembly <input type="checkbox"/> Part standardization	<input type="checkbox"/> Vendor change <input checked="" type="checkbox"/> To improve reliability <input type="checkbox"/> Other	<input type="checkbox"/> To meet standards ()

The following have been deleted from service parts, since the cap may damage the waste toner collection duct sponge in the mainframe when the transfer unit is set in the machine.

Old part number	Description	Q'ty	Int	Page	Index	Note
G0803751	Cap:Discharge Used Toner:Transfer	1		37	28	
G0803752	Compression Spring:Shutter:Collar	1		37	26	
AA063637	Shutter: Discharge Used Toner	1		37	27	

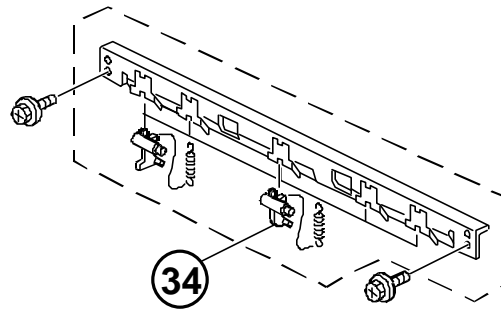
RCL (Japan) Production

Model	V/Hz	Destination	Code	Serial Number
Ricoh Aficio CL7000 Savin CLP28 Gestetner DSc38u LP 138c	120V, 60Hz	USA, Canada	G080-17	P9630700314
Gestetner DSc38u Nashuatec DSc38 u Rex Rotary DSc38 U LP 138c	220 - 240V, 50/60Hz	Europe, etc.	G080-22	P9630800861
IPC2838	220 - 240V, 50/60Hz	Europe, etc.	G080-26	8Q40730001
Ricoh Aficio CL7000	220 - 240V, 50/60Hz	Europe, etc.	G080-27	P9630800867
Ricoh Aficio CL7000	220 - 240V, 50/60Hz	Asia	G080-29	P9630800897

Model: Model J-P2		Date: 11-May-04	No.: MG080010
Modified Article: Stripper pawl		Prepared by: H.Taguchi	
From: 1st Tech. Support Sec. Service Support Dept.			
Reason for Modification:	<input type="checkbox"/> Parts catalog correction	<input type="checkbox"/> Vendor change	<input type="checkbox"/> To meet standards ()
	<input type="checkbox"/> To facilitate assembly	<input checked="" type="checkbox"/> To improve reliability	
	<input type="checkbox"/> Part standardization	<input type="checkbox"/> Other	

The shape of the centermost fusing pawl has been changed to further ensure the optimal distance between the pawl and the fusing belt.

Old part number	New part number	Description	Q'ty	Int	Page	Index	Note
AE044047		Stripper Pawls:PFA	5 - 4	X/O	45	25	
	AE044061	Stripper Pawls:PFA:1	1			34	New



RCL (Japan) Production

Model	V/Hz	Destination	Code	Serial Number
Ricoh Aficio CL7000 Savin CLP28 Gestetner DSc38u LP 138c	120V, 60Hz	USA, Canada	G080-17	P9640400545
Gestetner DSc38u Nashuatec DSc38 u Rex Rotary DSc38 U	220 - 240V, 50/60Hz	Europe, etc.	G080-22	P9640200001
LP 138c	220 - 240V, 50/60Hz	Europe, etc.	G080-24	L1404010013
IPC2838	220 - 240V, 50/60Hz	Europe, etc.	G080-26	8Q4024xxxx
Ricoh Aficio CL7000	220 - 240V, 50/60Hz	Europe, etc.	G080-27	P9640200083
Ricoh Aficio CL7000	220 - 240V, 50/60Hz	Asia	G080-29	P9640100005

Model: Model J-P2		Date: 25-May-04	No.: MG080011
Modified Article: Stay:Fusing:Upper:Ass'y		Prepared by: H.Taguchi	
From: 1st Tech. Support Sec. Service Support Dept.			
Reason for Modification:	<input type="checkbox"/> Parts catalog correction <input checked="" type="checkbox"/> To facilitate assembly <input type="checkbox"/> Part standardization	<input type="checkbox"/> Vendor change <input type="checkbox"/> To improve reliability <input type="checkbox"/> Other	<input type="checkbox"/> To meet standards ()

The heat roller in this assembly has been changed because a spacer was deleted, to facilitate assembly.

Old part number	New part number	Description	Q'ty	Int	Page	Index	Note
G0804042	G0804043	Stay:Fusing:Upper:Ass'y	1-1	X/O	45	13	

RCL (Japan) Production

Model	V/Hz	Destination	Code	Serial Number
Ricoh Aficio CL7000 Savin CLP28 Gestetner DSc38u LP 138c	120V, 60Hz	USA, Canada	G080-17	P9640400545
Gestetner DSc38u Nashuatec DSc38 u Rex Rotary DSc38 U LP 138c	220 - 240V, 50/60Hz	Europe, etc.	G080-22	P9640100001
IPC2838	220 - 240V, 50/60Hz	Europe, etc.	G080-24	L1403120001
Ricoh Aficio CL7000	220 - 240V, 50/60Hz	Europe, etc.	G080-26	8Q40540001
Ricoh Aficio CL7000	220 - 240V, 50/60Hz	Europe, etc.	G080-27	P9631200001
Ricoh Aficio CL7000	220 - 240V, 50/60Hz	Asia	G080-29	P9631200027

Model: Model J-P2		Date: 25-May-04	No.: MG080012
Modified Article: Heat Roller Stay Ass'y		Prepared by: H.Taguchi	
From: 1st Tech. Support Sec. Service Support Dept.			
Reason for Modification:	<input type="checkbox"/> Parts catalog correction <input type="checkbox"/> To facilitate assembly <input type="checkbox"/> Part standardization	<input type="checkbox"/> Vendor change <input checked="" type="checkbox"/> To improve reliability <input type="checkbox"/> Other	<input type="checkbox"/> To meet standards ()

The diameter of the heat roller has been increased slightly to further minimize sound generated by roller rotation.

Old part number	New part number	Description	Q'ty	Int	Page	Index	Note
G0804043	G0804044	HEAT ROLLER STAY ASS'Y	1-1	X/O	45	13	

Reissued: 18-Aug-04

Model: Model J-P2	Date: 4-Jun-04	No.: MG080013a
-------------------	----------------	----------------

MB Correction

The items in bold italics have been corrected or added.

Modified Article: Paper Feed Rollers		Prepared by: H.Taguchi	
From: 1st Tech. Support Sec. Service Support Dept.			
Reason for Modification:	<input type="checkbox"/> Parts catalog correction	<input type="checkbox"/> Vendor change	<input type="checkbox"/> To meet standards ()
	<input type="checkbox"/> To facilitate assembly	<input checked="" type="checkbox"/> To improve reliability	
	<input type="checkbox"/> Part standardization	<input type="checkbox"/> Other	

The material for the paper feed rollers has been changed to increase their target yield from 150k to 500k.

Old part number	New part number	Description	Q'ty	Int	Page	Index	Note
G0802700	G1062700	Paper Feed Unit:No.1:Ass'y	1 - 1	X/O	19	1	
AF030049	AF030085	Paper Feed Roller - Pickup	1 - 1	X/O	19	3	*1
					21	4	
	AA100014	Retaining Ring C - Separate			19	5	*1
AF031049	AF031085	Paper Feed Roller - Feed	1 - 1	X/O	19	6	*2
					21	7	
	AA100014	Retaining Ring C - Separate			19	5	*2
AF032049	AF032085	Paper Feed Roller - Separate	1 - 1	X/O	19	28	*3
					21	29	
	AA100014	Retaining Ring C - Separate			19	5	*3
G0802750	G1062750	Paper Feed Unit:No.2:Ass'y	1 - 1	X/O	21	1	

Note *1 *2 *3: You should replace these parts as a set.

RCL (Japan) Production

Model	V/Hz	Destination	Code	Serial Number
Ricoh Aficio CL7000 Savin CLP28 Gestetner DSc38u LP 138c	120V, 60Hz	USA, Canada	G080-17	P9640400545
Gestetner DSc38u Nashuatec DSc38 u Rex Rotary DSc38 U	220 - 240V, 50/60Hz	Europe, etc.	G080-22	P9640100001
LP 138c	220 - 240V, 50/60Hz	Europe, etc.	G080-24	L1403120001
IPC2838	220 - 240V, 50/60Hz	Europe, etc.	G080-26	8Q40540001
Ricoh Aficio CL7000	220 - 240V, 50/60Hz	Europe, etc.	G080-27	P9631100001
Ricoh Aficio CL7000	220 - 240V, 50/60Hz	Asia	G080-29	P9631100003

Model: Model J-P2		Date: 11-Jun-04	No.: MG080014
Modified Article: Gear:Oil Supply Roller		Prepared by: H.Taguchi	
From: 1st Tech. Support Sec. Service Support Dept.			
Reason for Modification:	<input type="checkbox"/> Parts catalog correction <input type="checkbox"/> To facilitate assembly <input type="checkbox"/> Part standardization	<input type="checkbox"/> Vendor change <input checked="" type="checkbox"/> To improve reliability <input type="checkbox"/> Other	<input type="checkbox"/> To meet standards ()

The material of the gear has been strengthened to further improve gear reliability.

Old part number	New part number	Description	Q'ty	Int	Page	Index	Note
G0804192	G0804198	Gear:Oil Supply Roller:No.2	1 - 1	X/O	45	5	

RCL (Japan) Production

Model	V/Hz	Destination	Code	Serial Number
Ricoh Aficio CL7000 Savin CLP28 Gestetner DSc38u LP 138c	120V, 60Hz	USA, Canada	G080-17	P9640400587
Gestetner DSc38u Nashuatec DSc38 u Rex Rotary DSc38 U LP 138c	220 - 240V, 50/60Hz	Europe, etc.	G080-22	P9640200006
IPC2838	220 - 240V, 50/60Hz	Europe, etc.	G080-24	L1404030001
	220 - 240V, 50/60Hz	Europe, etc.	G080-26	8Q40540001
Ricoh Aficio CL7000	220 - 240V, 50/60Hz	Europe, etc.	G080-27	P9640200104
Ricoh Aficio CL7000	220 - 240V, 50/60Hz	Asia	G080-29	P9640200415

Reissued: 19-Aug-04

Model: Model J-P2	Date: 24-Jun-04	No.: MG080015a
-------------------	-----------------	----------------

MB Correction***Please disregard this MB. This RTB is for Model J-P1 (G060).***

Modified Article: Imaging Unit		Prepared by: H. Taguchi	
From: 1st Tech. Support Sec. Service Support Dept.			
Reason for Modification:	<input type="checkbox"/> Parts catalog correction	<input type="checkbox"/> Vendor change	<input type="checkbox"/> To meet standards ()
	<input type="checkbox"/> To facilitate assembly	<input type="checkbox"/> To improve reliability	
	<input checked="" type="checkbox"/> Part standardization	<input type="checkbox"/> Other	

The following has changed due to parts standardization with Model J-P2 (G080).

Note: In accordance with this change, the service parts for this unit have also changed to the same P/N, descriptions, indices and illustration shown in the Laser Unit section of the J-P2 catalogue.

Old part number	New part number	Description	Q'ty	Int	Page	Index	Note
G0771856	G0801853	Imaging Unit	1 - 1	O/O	13	1	

Model: Model J-P2		Date: 25-Jun-04	No.: MG080016
Modified Article: Imaging unit		Prepared by: H.Taguchi	
From: 1st Tech. Support Sec. Service Support Dept.			
Reason for Modification:	<input type="checkbox"/> Parts catalog correction <input type="checkbox"/> To facilitate assembly <input type="checkbox"/> Part standardization	<input type="checkbox"/> Vendor change <input checked="" type="checkbox"/> To improve reliability <input type="checkbox"/> Other	<input type="checkbox"/> To meet standards ()

The securing of the imaging unit mirrors has been further improved to protect against excessive shock and vibration during transport.

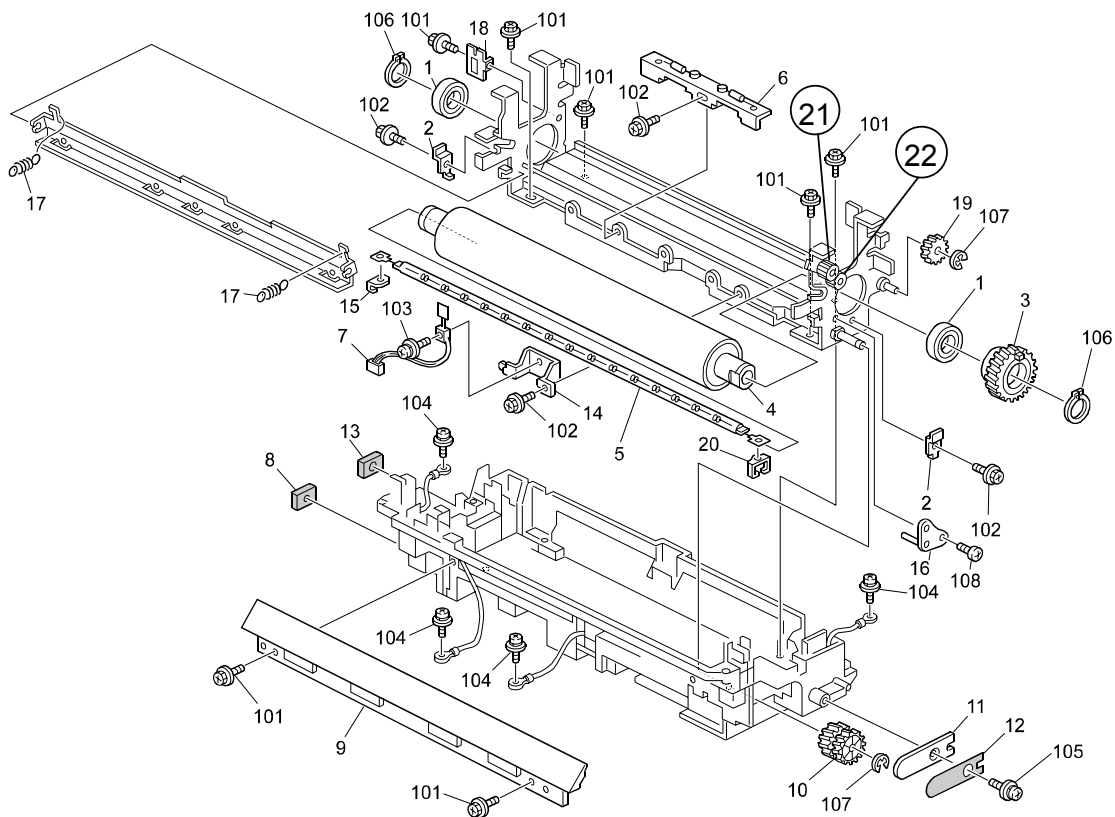
Old part number	New part number	Description	Q'ty	Int	Page	Index	Note
G0801853	G0801854	Imaging Unit	1-1	X/O	13	1	

Model: Model J-P2	Date: 10-Dec-04	No.: MG080017
-------------------	-----------------	---------------

Modified Article: Gears for Fusing unit		Prepared by: H.Taguchi	
From: 1st Tech. Support Sec. Service Support Dept.			
Reason for Modification:	<input type="checkbox"/> Parts catalog correction	<input type="checkbox"/> Vendor change	<input type="checkbox"/> To meet standards ()
	<input type="checkbox"/> To facilitate assembly	<input type="checkbox"/> To improve reliability	
	<input type="checkbox"/> Part standardization	<input checked="" type="checkbox"/> Other	

Old part number	New part number	Description	Q'ty	Int	Page	Index	Note
	G0804193	GEAR - IDLER OIL SUPPLY ROLLER	1		47	21	NEW
	G0804196	GEAR - IDLER SWIVEL	1		47	22	NEW

Change: Parts were added.
Reason: Request from the field.



Model: Model J-P2		Date: 20-Jan-05	No.: MG080018
Modified Article: Power Supply Board		Prepared by: H.Taguchi	
From: 1st Tech. Support Sec. Service Support Dept.			
Reason for Modification:	<input type="checkbox"/> Parts catalog correction <input type="checkbox"/> Vendor change <input type="checkbox"/> Other		
	<input type="checkbox"/> To facilitate assembly <input checked="" type="checkbox"/> To improve reliability <input type="checkbox"/> To meet standards		
	<input type="checkbox"/> Part standardization <input type="checkbox"/> Product Safety ()		

Old part number	New part number	Description	Q'ty	Int	Page	Index	Note
AZ230108	AZ230151	POWER SUPPLY UNIT:J-P2:277W:EU/AA	1 - 1	X/O	69	18	

Change: The capacity of the condenser on the PSU was increased.

Reason: To increase parts reliability.

RCL (Japan) Production

Model	V/Hz	Destination	Code	Serial Number
Ricoh Aficio CL7000 Savin CLP28 Gestetner DSc38u LP 138c	120V, 60Hz	USA, Canada	G080-17	P9640400545
Gestetner DSc38u Nashuatec DSc38 u Rex Rotary DSc38 U	220 - 240V, 50/60Hz	Europe, etc.	G080-22	P9640100001
LP 138c	220 - 240V, 50/60Hz	Europe, etc.	G080-24	L1403100001
IPC2838	220 - 240V, 50/60Hz	Europe, etc.	G080-26	8Q40540001
Ricoh Aficio CL7000	220 - 240V, 50/60Hz	Europe, etc.	G080-27	P9631000001
Ricoh Aficio CL7000	220 - 240V, 50/60Hz	Asia	G080-29	P9631000185

Model: Model J-P2		Date: 20-Apr-05	No.: MG080019
Modified Article: Development Unit		Prepared by: H.Taguchi	
From: 1st Tech. Support Sec. Service Support Dept.			
Reason for Modification:	<input type="checkbox"/> Parts catalog correction <input type="checkbox"/> Vendor change <input type="checkbox"/> Other		
	<input type="checkbox"/> To facilitate assembly <input checked="" type="checkbox"/> To improve reliability <input type="checkbox"/> To meet standards		
	<input type="checkbox"/> Part standardization <input type="checkbox"/> Product Safety ()		

Old part number	New part number	Description	Q'ty	Int	Page	Index	Note
G2193001	G2193005	Development unit:C:M-pack:Ass'y	1-1	X/O	35	3	
G2193002	G2193006	Development unit:M:M-pack:Ass'y	1-1	X/O	35	4	
G2193003	G2193006	Development unit:Y:M-pack:Ass'y	1-1	X/O	35	2	

Change: The shape of the joint area of the development unit.

Reason: To make sure the development unit gear connects with the mainframe gear correctly (to ensure SC38x does not occur).

RCL (Japan) Production

Model	V/Hz	Destination	Code	Serial Number
Ricoh Aficio CL7000 Savin CLP28 Gestetner DSc38u LP 138c	120V, 60Hz	USA, Canada	G080-17	P9641100126
Gestetner DSc38u Nashuatec DSc38 u Rex Rotary DSc38 U LP 138c	220 - 240V, 50/60Hz	Europe, etc.	G080-22	P9641200131
IPC2838	220 - 240V, 50/60Hz	Europe, etc.	G080-26	8Q4124xxxx
Ricoh Aficio CL7000	220 - 240V, 50/60Hz	Europe, etc.	G080-27	P9641100471
Ricoh Aficio CL7000	220 - 240V, 50/60Hz	Asia	G080-29	P9641100621